

# BLACKHAWK

EXTENDABLE Series



MRG Extendable



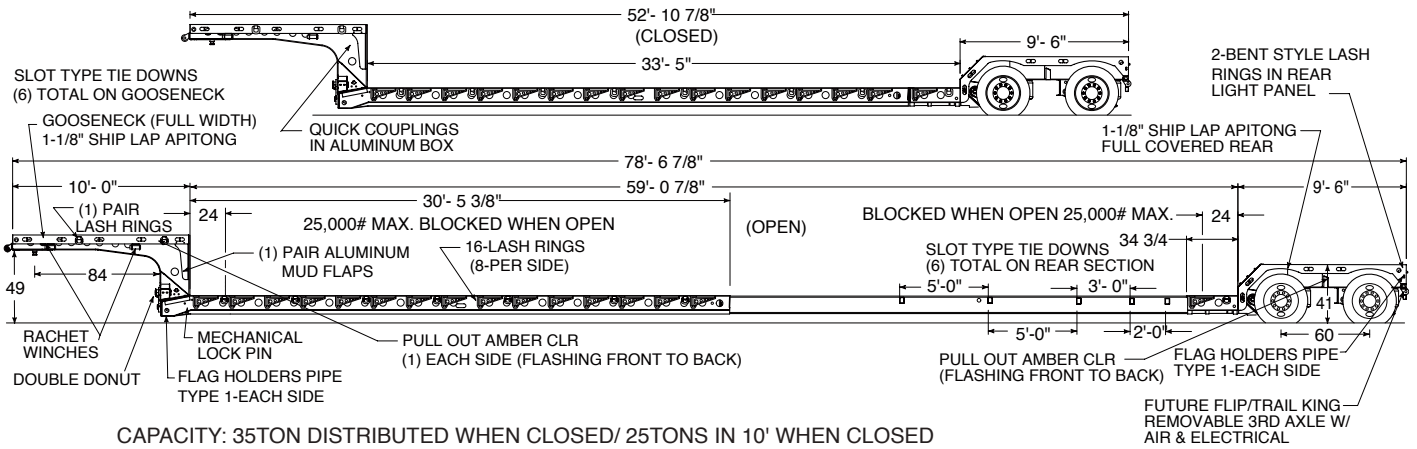
RTN Extendable

- Capacity: 35 to 60 ton
- Mechanical and Hydraulic Detachables
- Full width and narrow neck
- Multiple configurations (2 axle – 2+3+2)
- Greaseable deck rollers
- Multiple tire and brake configurations

(Optional Equipment Shown)



# MRG Extendable



CAPACITY: 35TON DISTRIBUTED WHEN CLOSED/ 25TONS IN 10' WHEN CLOSED  
25TON SELF SUPPORTING LOAD BLOCKED 2' FROM FRONT & REAR OF DECK WHEN OPEN

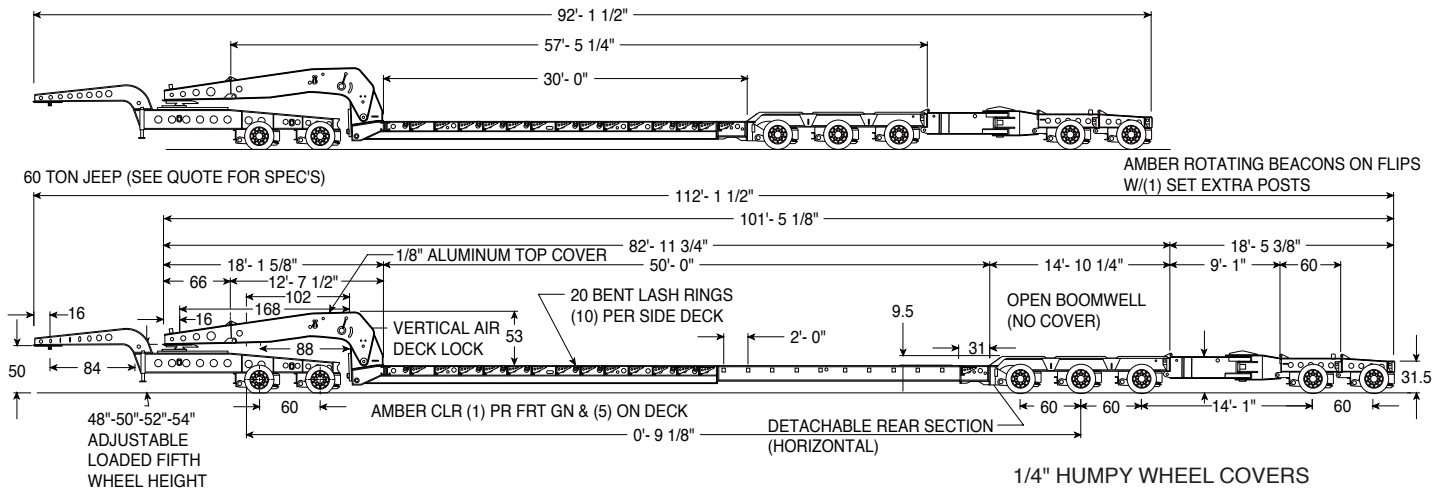
- |   |                                       |   |
|---|---------------------------------------|---|
| TOP FLANGE REINFORCEMENT ON FRONT SLOPE ONLY                      | 275/70R22.5(H) TIRES YOKOHAMA         | RAISING & LOWERING VALVE AT REAR OF TRAILER |
| PAINT: RED  | STEEL DISC 8.25 X 22.5                |   |
| FRAME REINFORCEMENT FOR FUTRE 3RD FLIPAXLE TO FIT TRAIL KING AXLE | AIR RIDE SUSPENSION                   | SPRING BRAKES ON BOTH AXLES                 |
|   | MANUAL EXHAUST VALVE                  | DUST SHIELDS BOTH AXLES                     |
|   | 16 1/2" X 7" BRAKES (2S/1M ANTI-LOCK) | L.E.D. LIGHTS                               |
|   | (2) 25,000# NOM. 5/8" WALL AXLES      |   |

DRAWING IS FOR ILLUSTRATIVE PURPOSES ONLY. ALL WEIGHTS AND DIMENSIONS ARE APPROXIMATE. TRAILER IS SHOWN IN FULLY LOADED CONDITION. PLATFORM HEIGHTS WILL INCREASE IF LOADED LESS THAN FULL CAPACITY.

## MRG35TDEXT

(Optional Equipment Shown)

# RTN Extendable



- |   |                                   |   |   |
|---|-----------------------------------|---|---|
| NOTES:                                      | ALUMINUM DISC WHEELS (POLISHED)   | PAINT: BLACK                                | 1/4" HUMPY WHEEL COVERS (TRAILER ONLY)            |
| 60 TONS IN ANY 16' (CLOSED)                 | OUTERS & MACHINE FINISHED INNERS) | L.E.D. LIGHTS                               | LIQUID FILLED AIR GAUGE W/CHART (TRAILER & FLIPS) |
| FRAME REINFORCEMENT FOR 3+2 (14'-1" SPREAD) | AIR RIDE SUSPENSION               | RAISING & LOWERING VALVES (TRAILER & FLIPS) |   |
| TRACTION BARS ON FRONT SLOPE                | ETNYRE MANUAL(+3/-3)              | P.S.I. TIRE INFLATION SYSTEM                |   |
| WET LINE OPERATION                          | MANUAL EXHAUST VALVE              |   |   |
| 245/70R17.5(H) TIRES                        | DISC AIR BRAKES                   |   |   |
|   | (5) 22,000# AXLES                 |   |   |
|   | SPRING BRAKES ON 2ND AXLE         |   |   |

DRAWING IS FOR ILLUSTRATIVE PURPOSES ONLY. ALL WEIGHTS AND DIMENSIONS ARE APPROXIMATE. TRAILER IS SHOWN IN FULLY LOADED CONDITION. PLATFORM HEIGHTS WILL INCREASE IF LOADED LESS THAN FULL CAPACITY.

## RTN60TD3-R4/5A-RAEXT

(Optional Equipment Shown)



**E. D. ETNYRE & CO.**  
1333 S. Daysville Road, Oregon, Illinois 61061  
Phone: 815/732-2116 email: sales@etnyre.com  
www.etnyre.com