

BLACKHAWK[®]



Classic Series

Heavy Duty Trailers



Classic Series

BLACKHAWK Trailers

- Hydraulic non-ground engaging gooseneck.
- 4 beam main frame 16" fully cambered.
- Top flange reinforcement on outside flanges.
- Crossmembers are located on 20" centers. 1-1/2" net apitong flooring is standard.
- Boom well has the lowest first cross member in the industry to get those big new excavator sticks to their lowest height.
- Recessed boom trough and stubbed shock absorber mounting allow excavator sticks to be tucked into this area to lower overall height of excavators.



- Standard transition ramps.



- Optional amber LED strobe lights.
- Dropped bolsters and connecting ears for removable 4th axle.
- Frame reinforced for 4th axle.

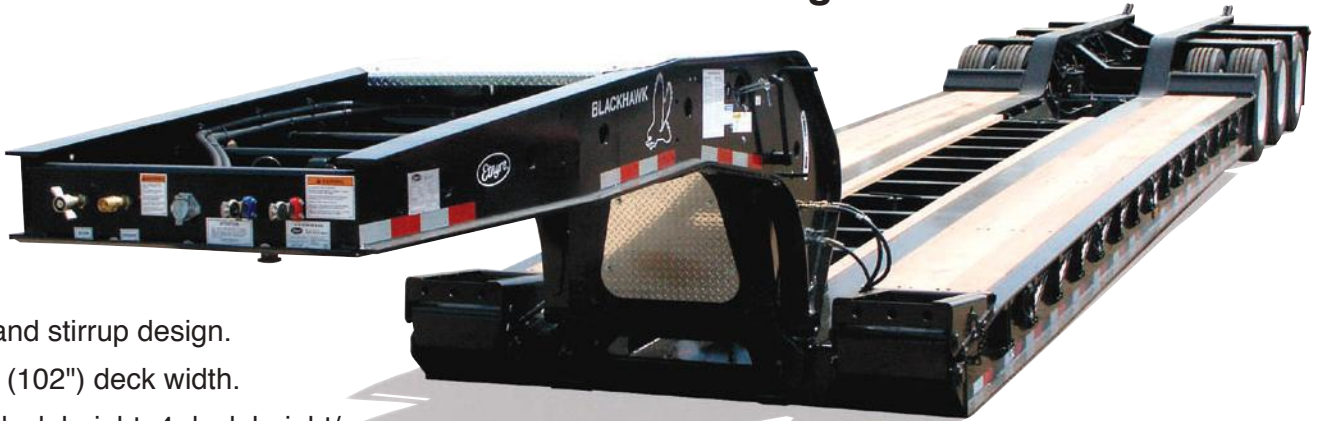


- Optional air/electrical connections for 4th axle.

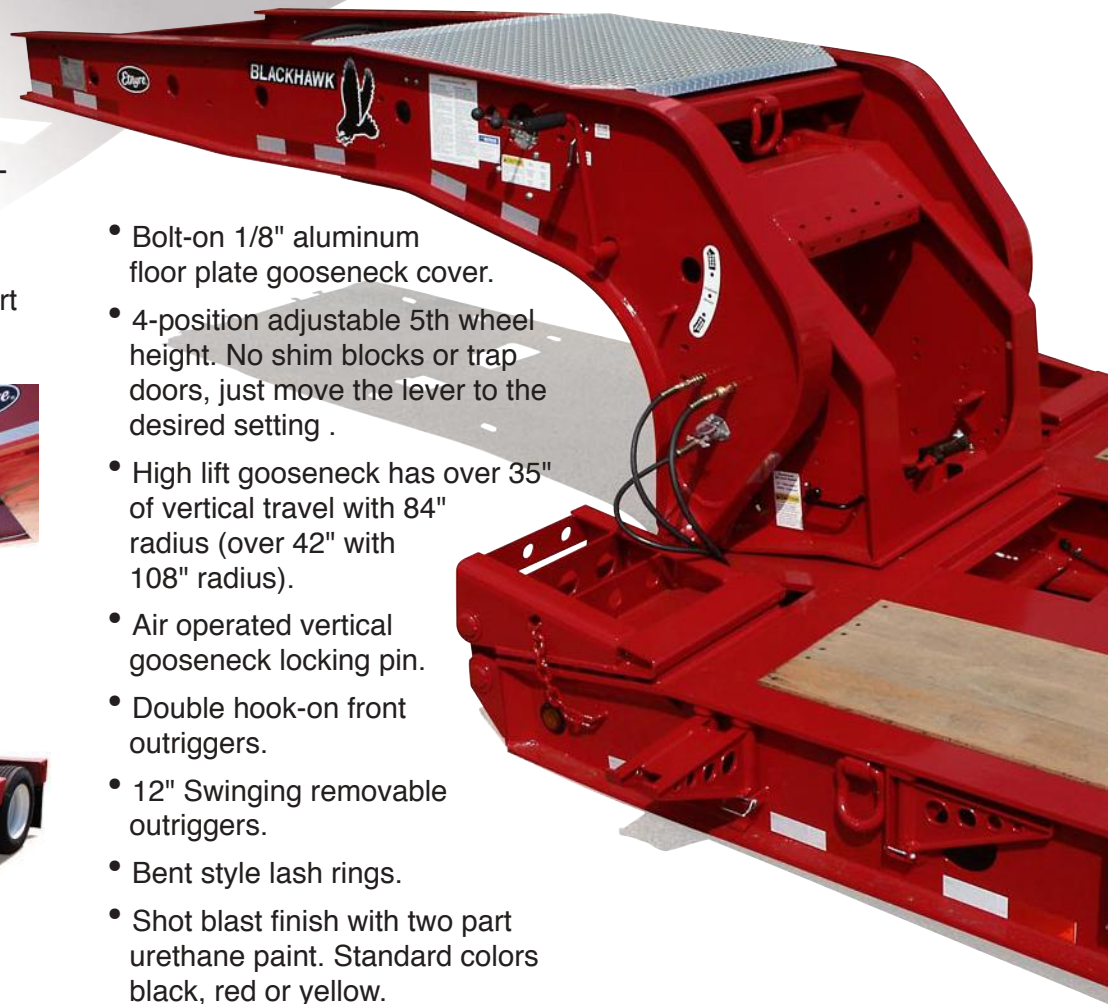


Photos in this brochure show both standard and optional equipment.

Blackhawk Classic Series 55 ton capacity trailers. Available in 3 and 4 axle configurations.



- Pin and stirrup design.
- 8'-6" (102") deck width.
- 22" deck height. 4 deck height/ground clearance settings.
- Hydraulically operated by PTO/wet line or optional power pack.
- Air suspension (spring available).
- Air brakes.
- Hydraulic gooseneck support arm.



- Bolt-on 1/8" aluminum floor plate gooseneck cover.
- 4-position adjustable 5th wheel height. No shim blocks or trap doors, just move the lever to the desired setting .
- High lift gooseneck has over 35" of vertical travel with 84" radius (over 42" with 108" radius).
- Air operated vertical gooseneck locking pin.
- Double hook-on front outriggers.
- 12" Swinging removable outriggers.
- Bent style lash rings.
- Shot blast finish with two part urethane paint. Standard colors black, red or yellow.



Due to printing restrictions colors shown are representative only.



Blackhawk Series Trailers have the highest lifting capacity and the most travel (above & below ground level) to clear any obstacle you may encounter while on the road.



- Simple, quick and easy hook-ups to any tractor air, electrical and hydraulic system.



- High lift gooseneck.



- Optional 8' wide bolt-on fenders.



- Double hook-on outriggers standard equipment.



- Optional gooseneck light bar.
- Optional self contained engine package and cover.



- Optional 4th flip/removable axle with optional aluminum wheels.
- Optional stinger (spreader bar) available.

Distributed By:

E. D. Etnyre & Co., whose policy is one of continuous improvement, reserves the right to change specifications without notice. Some items shown in photos and illustrations may be optional equipment.



E. D. ETNYRE & CO.,

1333 South Daysville Road, Oregon, Illinois 61061
 Phone: 800-995-2116 or 815/732-2116 • Fax 815-732-7400
 Web Site: www.etnyre.com • Email: sales@etnyre.com
 ISO9001:2000 certified

Litho in U.S.A. L-RTN-06